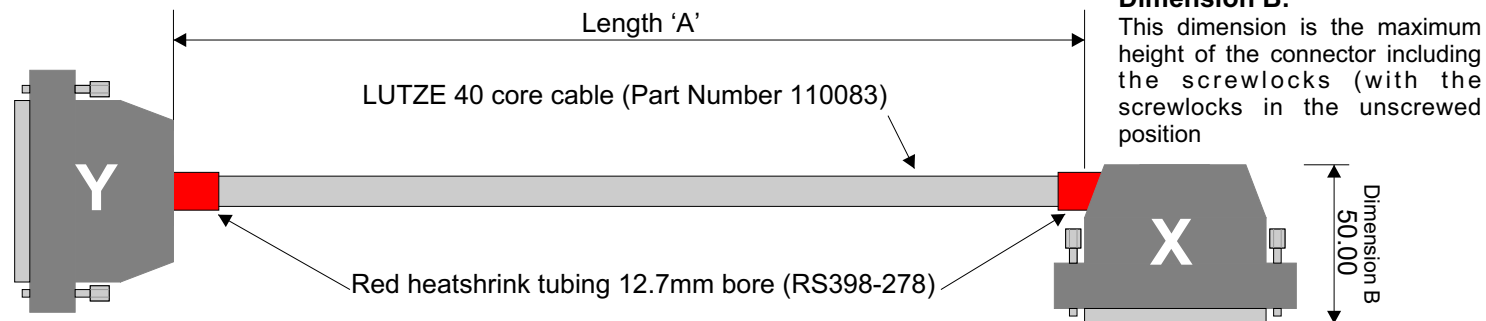


**Connector Type 'Y':** 37 Pin Male D Sub connector (2E type: DB37SP) with straight cable exit metal hood (2E type: CMS37).



Connector X connections to Connector Y:

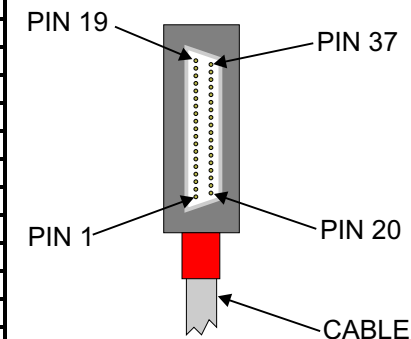
Wire Colour	Connector X Pin Number	Connector Y Pin Number	Maximum Current
Green / Black	1	1	100mA
Yellow / Blue	2	2	16 mA
Yellow / Red	3	3	100mA
Grey / Pink	4	4	100mA
Pink / Green	5	5	100mA
Pink / Blue	6	6	100mA
Pink / Red	7	7	100mA
Grey / Blue	8	8	100mA
Yellow / Grey	9	9	100mA
Grey / Green	10	10	100mA
Brown / Black	11	11	16mA
White / Pink	12	12	100mA
White / Red	13	13	100mA
Grey / Red	14	14	100mA
Brown	15	15	100mA
White	16	16	100mA
Green	17	17	100mA
Yellow	18	18	100mA
Grey	19	19	100mA
Yellow / Pink	20	20	1.6A
White / Yellow	21	21	100mA
Brown / Green	22	22	100mA
Green / Blue	23	23	100mA
Pink / Brown	24	24	100mA
Green / Red	25	25	100mA
Yellow / Brown	26	26	100mA
White / Grey	27	27	100mA
Grey / Brown	28	28	100mA
White / Blue	29	29	1.6A
Brown / Blue	30	30	100mA
Brown / Red	31	31	100mA
White / Black	32	32	100mA
Purple	33	33	100mA
Black	34	34	100mA
Red	35	35	100mA
Pink	36	36	100mA
Blue	37	37	100mA

Note: Yellow / Black, White / Green & Red / Blue wires NOT used

Wire length to protrude from grey sheath (before soldering) on end of cable to be connected to angled connector (connector X).

**Connector Type 'X':** 37 Pin Male D Sub connector (2E type: DB37SP) with 45° angled cable exit metal hood(2E type: CMS37).

65mm	60mm	50mm	40mm	35mm
Blue	Grey / Red	Brown / Black	Grey / Blue	Pink / Green
Pink	White / Red	Grey / Green	Pink / Red	Grey / Pink
Red	White / Pink	Yellow / Grey	Pink / Blue	
Black	White / Black	Grey / Brown	Pink / Brown	
Purple	Brown / Red	White / Blue	Yellow / Pink	
Brown		Brown / Blue	Green / Blue	
White			Brown / Green	
Green			White / Grey	
Yellow			Yellow / Brown	
Grey			Green / Red	
			Yellow / Blue	
			White / Yellow	
			Green / Black	
			Yellow / Red	



Cable Type	Length 'A'
400-32CAB-0.5	0.5 m
400-32CAB-1	1 m
400-32CAB-2	2 m
400-32CAB-3	3 m

<b>Colter Products Limited</b>	
Fitch Industrial Estate, Chelmsford Road, Dunmow, Essex, CM6 1XJ. Tel: +44 (0)1371 876887, Fax: +44 (0)1371 875638 Email: sales@coltergroup.co.uk Web: www.coltergroup.co.uk	
<b>Project:</b>	FMT-400
<b>Drawing:</b>	400-32CAB-X
<b>Description:</b>	Cables for FMT-400 32I/O modules
<b>Date:</b>	20/08/2001
<b>Version:</b>	2.00
<b>File</b>	N:\Fmt400\32 I_O cable diagram ver2.cdr

NOTE: All dimensions in millimetres unless otherwise stated

DO NOT SCALE